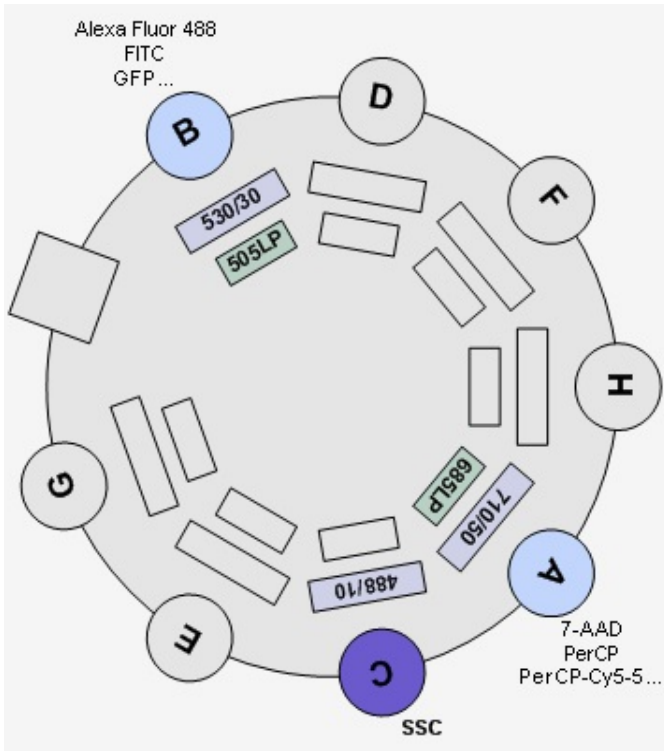


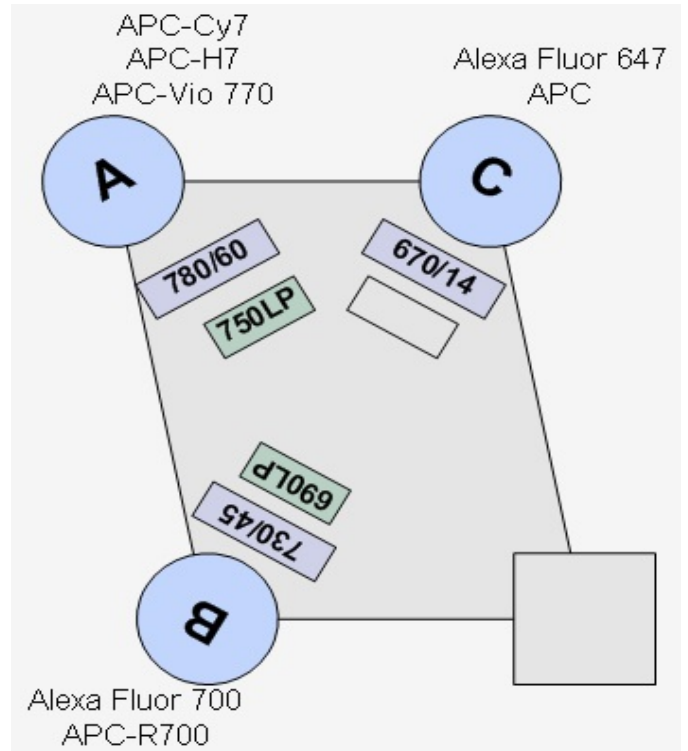
BD LSRFortessa SORP

5 Lasers, 18 Colors (2 Blue - 3 Red - 6 Violet - 5 YellGrn - 2 UV)

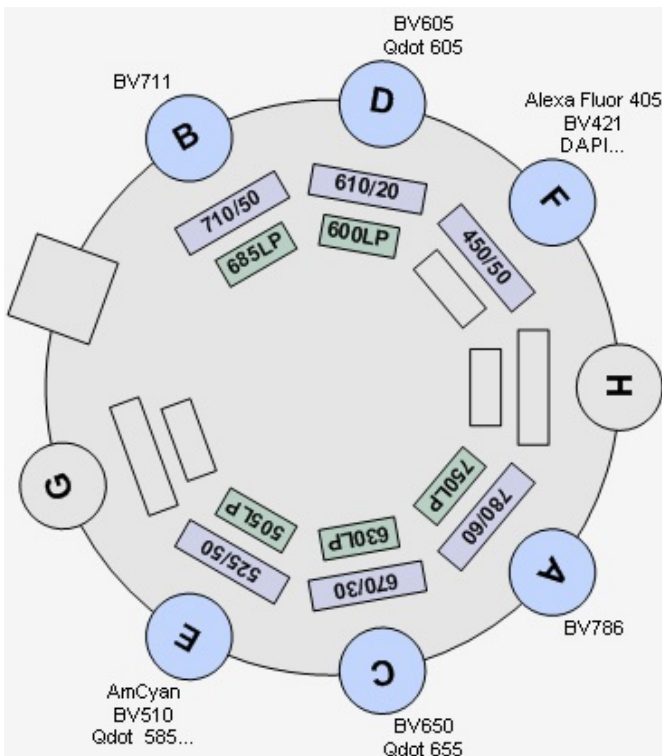
Blue Laser (488 nm)



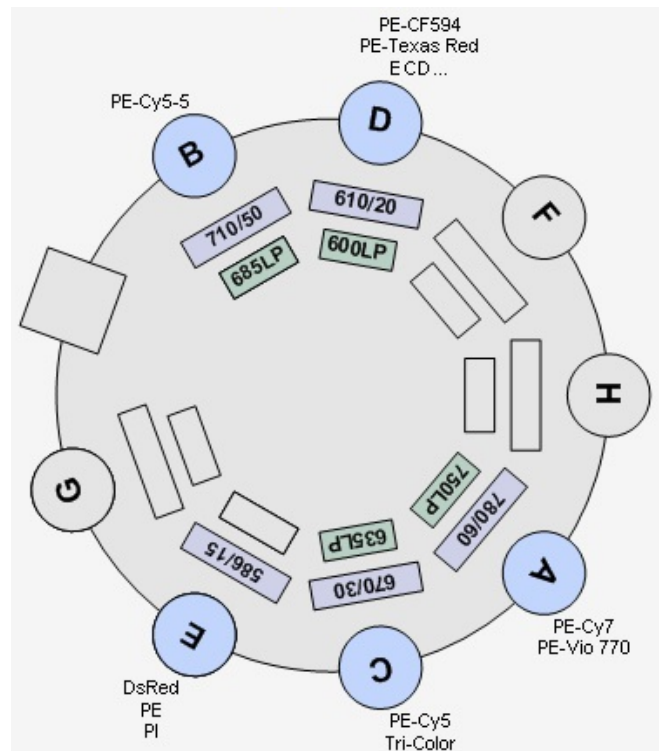
Red Laser (640 nm)



Violet Laser (405 nm)



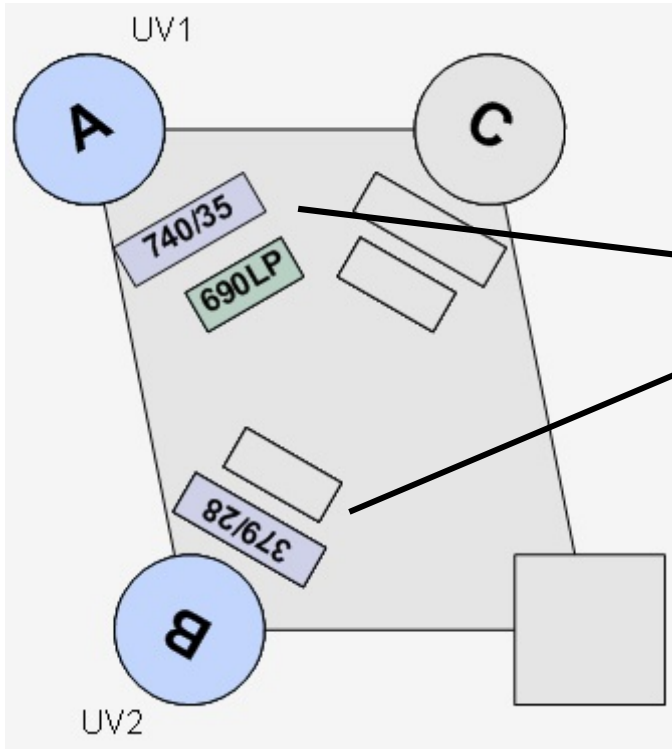
YellGrn Laser (561 nm)



BD LSRFortessa SORP

5 Lasers, 18 Colors (2 Blue - 3 Red - 6 Violet - 5 YellGrn - 2 UV)

UV Laser
(355 nm)



Disponibles 8 juegos de filtros y espejos intercambiables:

- **379/28, NA** (BUV 395).
- **515/30, 490 LP** (BUV 496).
- **605/20, 595LP** (BUV 615).
- **670/25, 630 LP** (BUV 661 / Hoechst Red Side Population).
- **740/35, 690 LP** (BUV 737).
- **810/40, 770 LP** (BUV 805).
- **450/50, NA** (DAPI / Hoechst Blue Side Population / Indo-1 (violet)).
- **530/30, 505 LP** (Indo-1 (blue)).